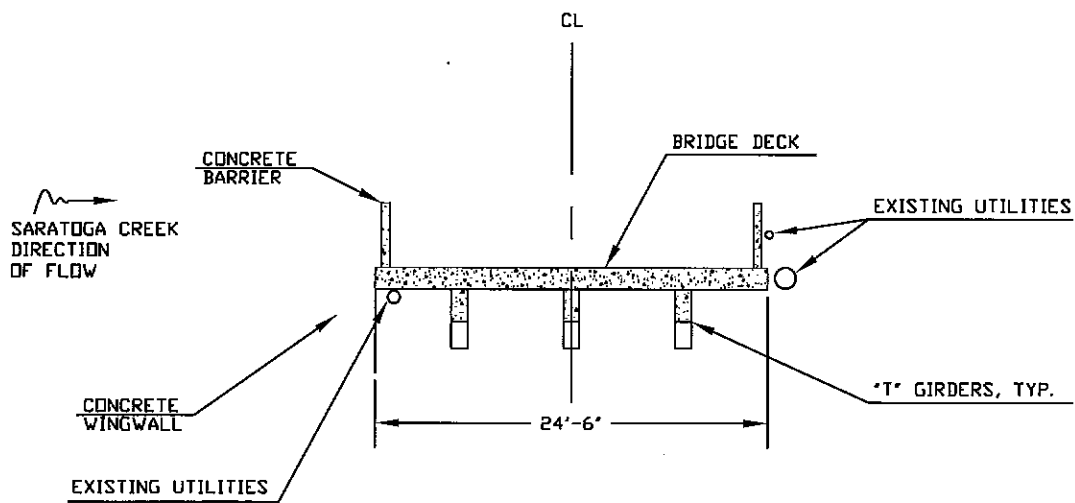
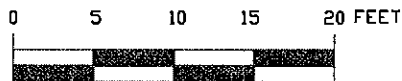


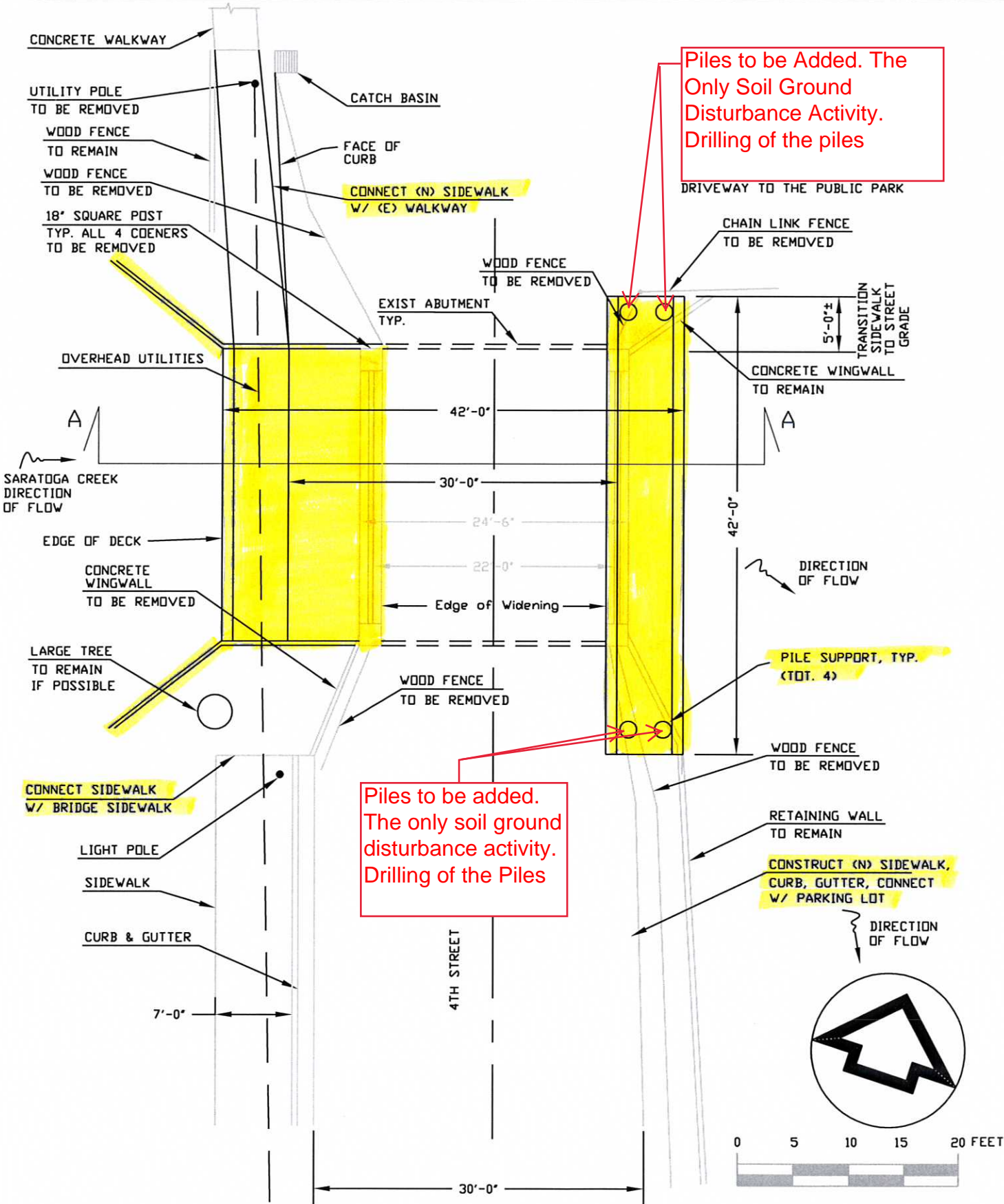
Drawn by IH	Approved by	Date 8-08-02	File name	Scale AS SHOWN	Sheet 1 of 4
CITY OF SARATOGA			Project BRIDGE 37C-294 ACROSS SARATOGA CREEK 4TH STREET, SARATOGA		
			PLAN VIEW - EXISTING		



SECTION A-A - EXISTING



Drawn by IH	Approved by	Date 8-08-02	File name	Scale AS SHOWN	Sheet of 2 of 4
CITY OF SARATOGA			Project BRIDGE 37C-294 ACROSS SARATOGA CREEK 4TH STREET, SARATOGA SECTION A-A - EXISTING		



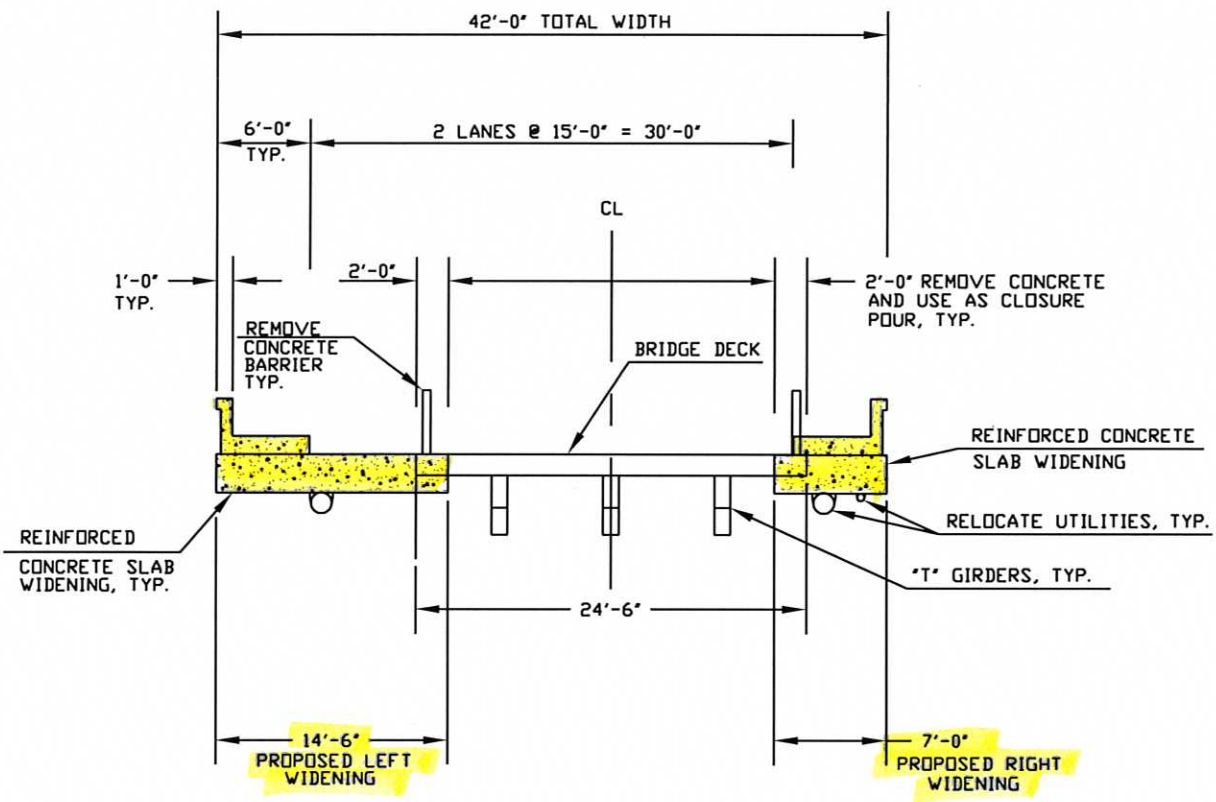
Piles to be Added. The Only Soil Ground Disturbance Activity. Drilling of the Piles

Piles to be added. The only soil ground disturbance activity. Drilling of the Piles

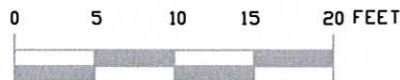
Drawn by IH	Approved by	Date 8-08-02	File name	Scale AS SHOWN	Sheet 3	of 4
----------------	-------------	-----------------	-----------	-------------------	------------	---------

CITY OF SARATOGA

Project
BRIDGE 37C-294 ACROSS SARATOGA CREEK
4TH STREET, SARATOGA
PLAN VIEW - PROPOSED



SECTION A-A - PROPOSED

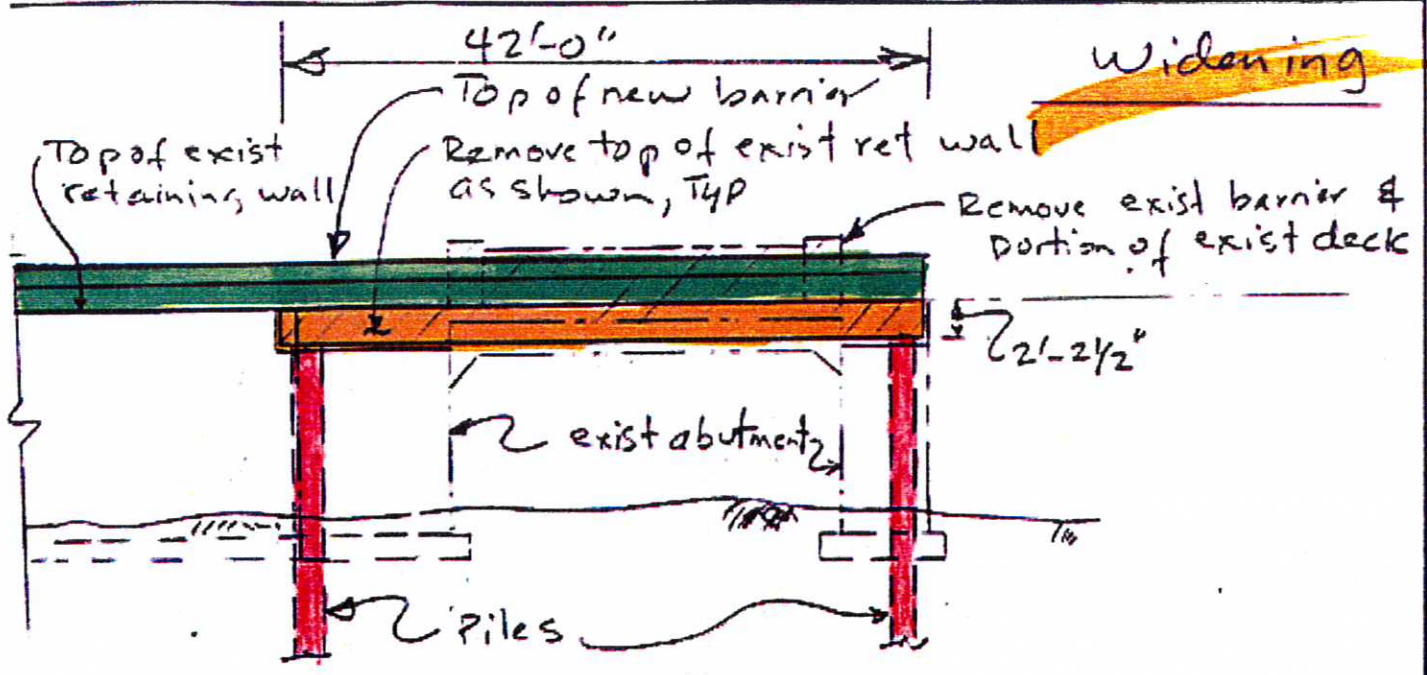


Drawn by IH	Approved by	Date 8-08-02	File name	Scale AS SHOWN	Sheet 4	of 4
----------------	-------------	-----------------	-----------	-------------------	------------	---------

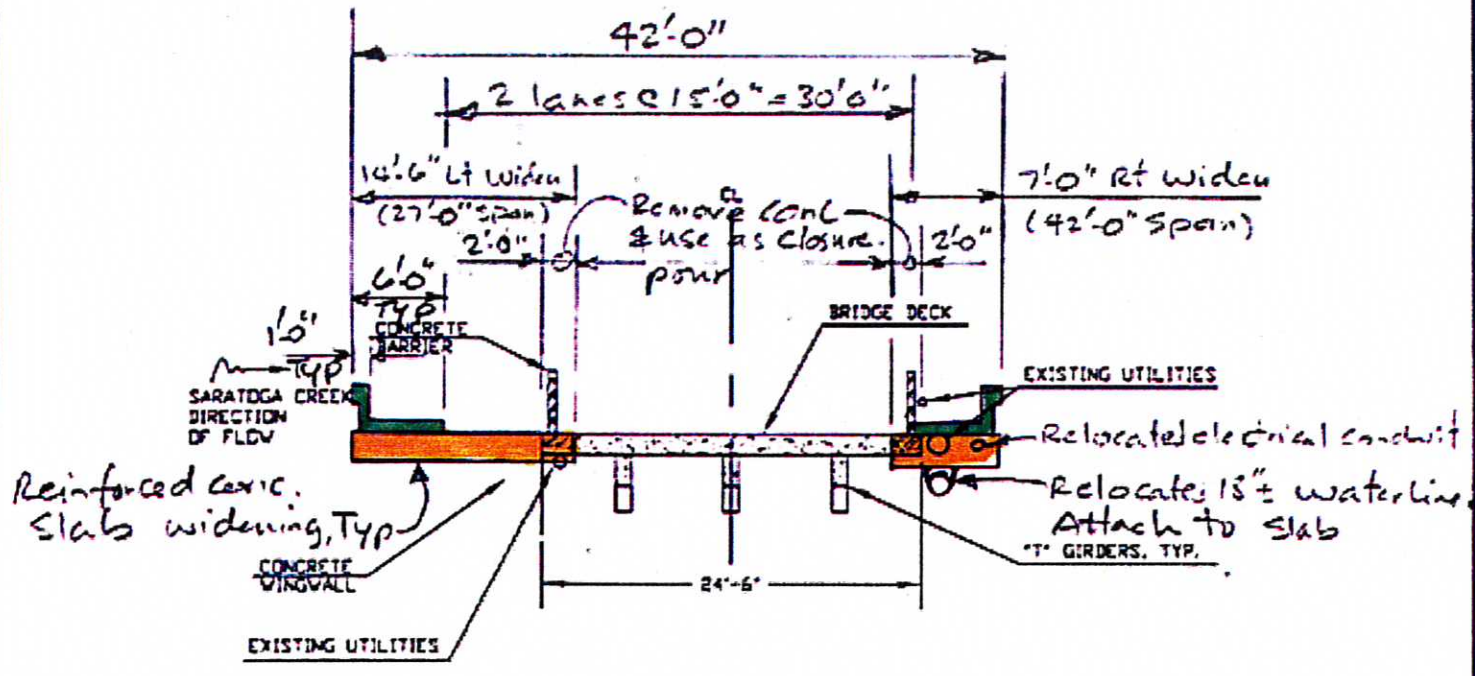
CITY OF SARATOGA

Project
BRIDGE 37C-294 ACROSS SARATOGA CREEK
4TH STREET, SARATOGA
SECTION A-A - PROPOSED

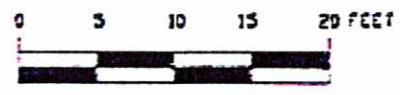
Widening



View B-B



TYPICAL SECTION



Drawn by IH	Approved by	Date 8-08-02	File name	Scale AS SHOWN	Sheet of 2 of 2
CITY OF SARATOGA			Project BRIDGE 37C-294 ACROSS SARATOGA CREEK 4TH STREET, SARATOGA SECTION A-A - EXISTING		